

# Enclume



## BOOK SHELF RACK with SPICE SHELF

### PR8c

Enclume racks are the ultimate in Quality, design, strength and function. Congratulations for owning one of the finest Storage racks made.

#### WARNING:

**READ ALL OF THE INSTRUCTIONS BEFORE ASSEMBLING AND USING YOUR RACK.**



All of our hammered steel racks are finished with an industrial wax designed to give years of protection to the rack. Cleaning is easily done with a damp cloth. Dry thoroughly after cleaning. If a touch-up is ever needed we recommend a "Pledge" like wax product.

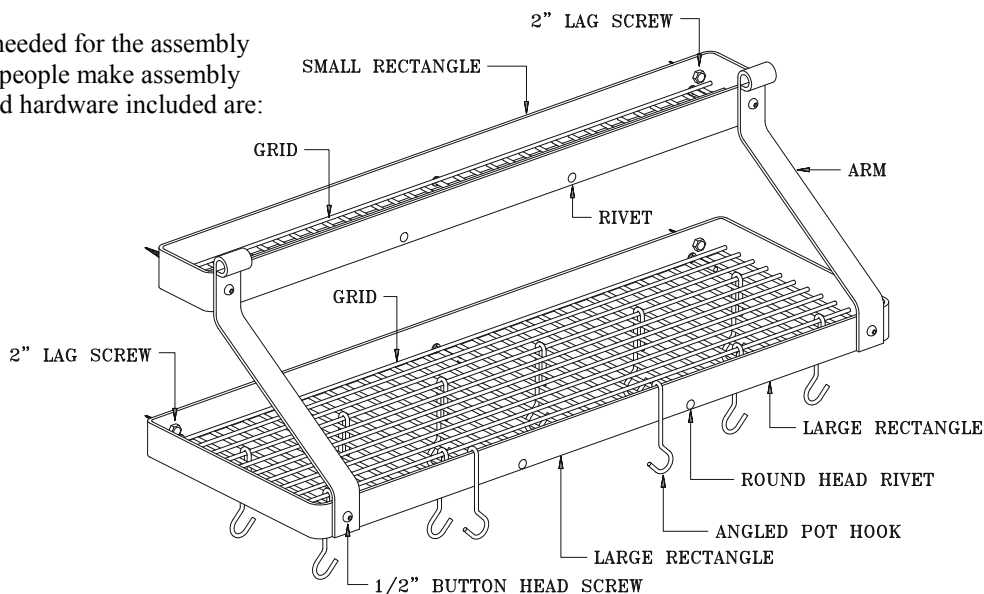
Enclosed you will find everything needed for the assembly and use of your storage rack. Two people make assembly and installation easier. The parts and hardware included are:

#### Hardware included:

- 4 – 3/8x 1/2" Button Head Screws
- 4 – Round Head Rivets
- 10 – Flat Head Rivets
- 14 – Push Nuts
- 4 – 2" Lag Screw
- 1 – 7/32" Allen Wrench

#### Components included:

- 1 – Large Rectangle
- 1 – Small Rectangle
- 2 – Arms
- 2 – Grids
- 18 – Angled Pot Hooks



See reverse side for ASSEMBLY AND INSTALLATION INSTRUCTIONS

**Limited Warranty:** This product is warranted to be free of material defects for a period of five years from the date of purchase. Customer's exclusive remedy shall be the repair or replacement of the defective product and shall be subject to the following conditions: (1) notice of any defect is received by Enclume within the warranty period and (2) customer returns the defective product to Enclume Design Products, Inc., 24 Colwell St., Port Hadlock, WA 98339, *postage prepaid* within 20 days following a return authorization number (which may be obtained by telephoning the number at the bottom of this instructions) being provided to the customer by Enclume. There are no other warranties, expressed or implied. **THERE ARE NO WARRANTIES OF MERCHANTABILITY OR FITNESS FOR A PARTICULAR PURPOSE. ENCLUME SPECIFICALLY DISCLAIMS ANY AND ALL INCIDENTAL OR CONSEQUENTIAL DAMAGES ARISING OUT OF THE PURCHASE OR USE OF ENCLUME'S PRODUCTS.**



If you need help, please call 1-877-ENCLUME  
**Enclume Design Products, Inc.**  
24 Colwell Street, Port Hadlock, WA. 98339  
Phone 360-385-6100 • Fax 360-385-6156  
[www.enclume.com](http://www.enclume.com)

# ASSEMBLY AND INSTALLATION INSTRUCTIONS for PR8c

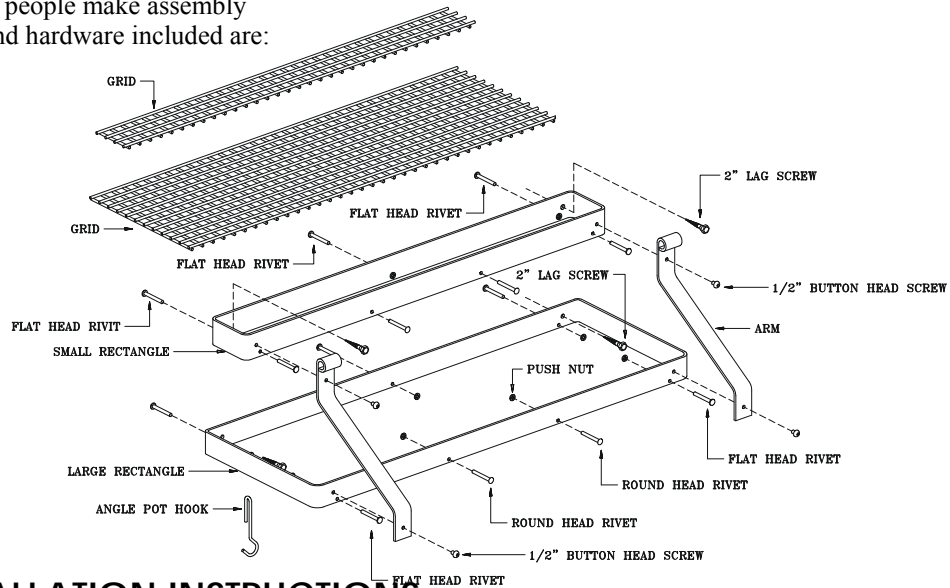
Enclosed you will find everything needed for the assembly and use of your storage rack. Two people make assembly and installation easier. The parts and hardware included are:

## Hardware included:

- 4 – 3/8" x 1/2" Button Head Screws
- 4 – Round Head Rivets
- 10 – Flat Head Rivets
- 14 – Push Nuts
- 4 – 2" Lag Screw
- 1 – 7/32" Allen Wrench

## Components included:

- 1 – Large Rectangle
- 1 – Small Rectangle
- 2 – Arms
- 1 – Grids
- 18 – Angled Pot Hooks



# ASSEMBLY AND INSTALLATION INSTRUCTIONS

## Rack Assembly

- 1) If your rack is plated it is best to keep the tissue on during installation to avoid fingerprinting.
- 2) It is very important to determine the front and back of the rectangles. The front has two threaded holes and four smaller unthreaded holes. The back has two large holes and three small holes unthreaded.
- 3) In the back of the rack, insert three flathead rivets into the smaller holes so they protrude into the rack's interior. Slide a push nut onto each rivet and push toward the rack body so the rivets are held tightly.
- 4) On the front of the rectangles, insert the two remaining flathead rivets into the two smaller holes near each end. Put the two round head rivets into the small holes near the center. Looking at the rack front from left to right with the rivets in place, you should have one flat head rivet two round head rivets and one flat head rivet. (see exploded view above). When you are sure of the order, lock in place with the push nuts as you did on the back.
- 5) Turn the large rectangular base so that the rivets are closest to the bottom. Using the Allen wrench and two 3/8" x 1/2" button head screws, attach the arms to the rack body through the threaded holes in the front.
- 6) Attach the arms to the front of the smaller upper rectangle using the remaining button head screws.
- 7) We recommend careful measuring and drilling pilot holes for ease of installation. Mount the rack onto the wall using the four lag screws. The lags must go into the solid wood of wall studs or into a wooden wall. Plasterboard or wall fasteners **will not** work and should **not** be used. The holes in the rack and spacing of the arms are 32" to match standard wall studs.
- 8) After the rack has been mounted onto the wall, place the grid into it with the long wires facing up. Push the grid against the back of the rack so there is clearance for the pot hooks to hang along the front bar (They can also hang on the grid).
- 9) Distribute the weight of your cookware evenly around the rack and grid.
- 10) All of our hammered steel racks are finished with an industrial wax designed to give years of protection to the rack. Cleaning is easily done with a damp cloth. Dry thoroughly after cleaning. If a touch-up is ever needed we recommend a "Pledge" like wax product.
- 11) The care and cleaning of our copper and brass units must be done with a low abrasive cleaner such as "Flitz". Chrome racks are best cleaned with a good quality glass cleaner like "Windex". Our high quality plating will age & tarnish the same as solid material. A periodic cleaning will restore your rack to its original brilliance.



It is important that your rack is assembled correctly. If the unit is assembled or used incorrectly, it could become unstable and collapse, possibly causing injury.



If you need help, please call 1-877-ENCLUME  
**Enclume Design Products, Inc.**  
24 Colwell Street, Port Hadlock, WA. 98339  
Phone 360-385-6100 • Fax 360-385-6156

[www.enclume.com](http://www.enclume.com)